



INSTALLATION, SERVICE AND MAINTENANCE INSTRUCTIONS

Air cleaner Type: F6, F3/8, F1/2

По вопросам продаж и поддержки обращайтесь:

Волгоград +7 (8442) 45-94-42
Екатеринбург +7 (343) 302-14-75
Ижевск +7 (3412) 20-90-75
Казань +7 (843) 207-19-05

Краснодар +7 (861) 238-86-59
Красноярск +7 (391) 989-82-67
Москва +7 (499) 404-24-72
Ниж.Новгород +7 (831) 200-34-65

Новосибирск +7 (383) 235-95-48
Омск +7 (381) 299-16-70
Пермь +7 (342) 233-81-65
Ростов-на-Дону +7 (863) 309-14-65

Самара +7 (846) 219-28-25
Санкт-Петербург +7 (812) 660-57-09
Саратов +7 (845) 239-86-35
Сочи +7 (862) 279-22-65

сайт: regada.pro-solution.ru | эл. почта: rdg@pro-solution.ru
телефон: 8 800 511 88 70

1. Application

The air cleaner is designed for arrestment of liquid and mechanical impurities in the pressed air.

2. Specifications

Parameter	Type	
	F6	F3/8; F1/2
Max. operation pressure [MPa] • with bowl without cover • with bowl with cover	1 -	1 1.6
Connecting thread	G1/4	G3/8, G1/2
Filtrating ability [mm]	55, 25, 10 ¹⁾	
Efficiency of liquid impurities separation [%]	99	
Useful capacity of bowl [cm ³]	41	85
Operation temperature range [°C]	+5 ⊕ +60	
Condensate drainage	<ul style="list-style-type: none"> • manual ¹⁾ • semi automatic 	

¹⁾ According to the version

3. Description and Functioning

The device functions on the principle of centrifugal separation of liquid impurities from pressed air, which is then filtrated from mechanical impurities flowing through the porous filtration insert.

4. Mounting

Devices are mounted onto or into the piping in vertical position – the bowl placed down. The air flow direction has to be in accordance with the arrow placed on the body. Inlet and outlet can be connected with couplings for plastic hoses or metal threaded tubes.

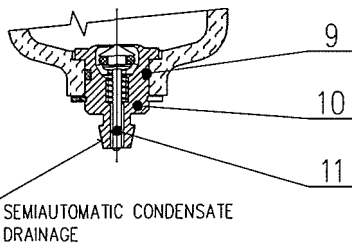
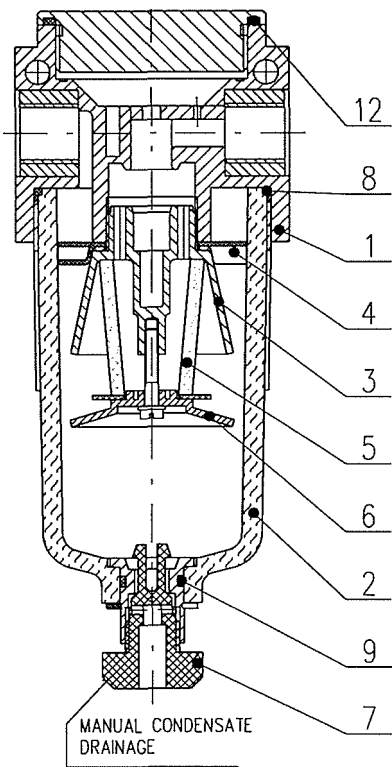
5. Putting into Operation

Check tightness of connections and the condensate drain plug (described in the next chapter) before starting of pressure air supply.

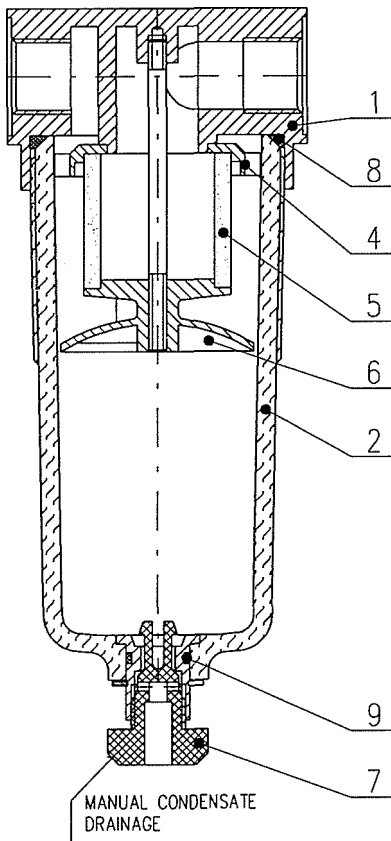
6. Service

In case of proper connection into the pneumatic loop the air cleaners do not require any special service. Condensate can be drained out of the bowl manually or semi automatically, according to the version. Manually the condensate is drained with loosening the nut (7), the semi automatic drainage starts at decreasing of the pressure to zero. If necessary the semi automatic drain allows to drain the condensate with pressing the cap (11) towards the valve corpuscle (10). The manual drainage nut is equipped with a grip locking preventing against dropping out.

Type: F6



Type: F3/8, F1/2



Legend:

- 1 Body
- 2 Bowl
- 3 Piston guidance
- 4 Spooling disc
- 5 Filtrating insert
- 6 Plate

- 7 Draining nut
- 8 Sealing ring
- 9 Sealing ring
- 10 Draining tap corpuscle
- 11 Cap
- 12 Sealing ring

7. Maintenance

Maintenance and repairs can be performed only with no air pressure supply.

Impure filtrating inserts (5) can be cleaned with air pressure in the opposite direction of flowing than operating, or having the bowl (2) unscrewed, with washing them in petrol or annealing at temperature of 200°C followed by washing.

Dirty or damaged filtrating inserts can be replaced by new ones.

The bowl can be cleaned with usual detergents, do not use solvents as acetone, ammonia, lye etc.

If the device is during the maintenance dismantled, the internal parts should be cleaned, sealing checked, functioning parts lubricated, and after mounting the tightness should be checked.

Maintenance and repairs can be performed only by authorised personnel.

8. Spare parts

Spare parts are not a part of the delivery. Required spare parts can be ordered stating the type of the device, the name and the position of the part according to the figure, and the number of pieces.

The product was tested by the producer according to the valid technical documentation. Warranty is granted according to the purchase agreement. In case of any fault it is necessary to contact the producer who arranges under-guaranty, after-guaranty repair or sends a spare part.

9. Liquidation of Product and Its Package

Parts of the product and its package can be used after dismantling and separating by the material as a source of secondary raw material. The product itself is not a source of environment pollution and do not contain any dangerous waste.

По вопросам продаж и поддержки обращайтесь:

Волгоград +7 (8442) 45-94-42
Екатеринбург +7 (343) 302-14-75
Ижевск +7 (3412) 20-90-75
Казань +7 (843) 207-19-05

Краснодар +7 (861) 238-86-59
Красноярск +7 (391) 989-82-67
Москва +7 (499) 404-24-72
Ниж.Новгород +7 (831) 200-34-65

Новосибирск +7 (383) 235-95-48
Омск +7 (381) 299-16-70
Пермь +7 (342) 233-81-65
Ростов-на-Дону +7 (863) 309-14-65

Самара +7 (846) 219-28-25
Санкт-Петербург +7 (812) 660-57-09
Саратов +7 (845) 239-86-35
Сочи +7 (862) 279-22-65